

Component-Level Information Packet
for 08590-60115
Tracking Generator Control for HP 8590B and HP 8591A

Copyright © 1991 Hewlett-Packard Company

All Rights Reserved.
Reproduction, adaptation, or translation
without prior written permission
is prohibited, except as allowed
under the copyright laws.

HP Document Part Number 5958-7155

Printed September 1990
Printed in USA

The information contained in this document is subject to change
without notice.



HP Part Number 08590-60115
Tracking Generator Control

Reference Designation	HP Part Number	C D	Qty	Description	Mfr Code	Mfr Part Number
C1	0160-4084	8	1	CAP-FXD 0.1uF 50 V	02010	SR215C104MAAH
C2	0160-4084	8	1	CAP-FXD 0.1uF 50 V	02010	SR215C104MAAH
C4	0160-4084	8	1	CAP-FXD 0.1uF 50 V	02010	SR215C104MAAH
C5	0160-4084	8	1	CAP-FXD 0.1uF 50 V	02010	SR215C104MAAH
C6	0160-4084	8	1	CAP-FXD 0.1uF 50 V	02010	SR215C104MAAH
C7	0160-4084	8	1	CAP-FXD 0.1uF 50 V	02010	SR215C104MAAH
C8	0160-4084	8	1	CAP-FXD 0.1uF 50 V	02010	SR215C104MAAH
C9	0160-4084	8	1	CAP-FXD 0.1uF 50 V	02010	SR215C104MAAH
C11	0160-4084	8	1	CAP-FXD 0.1uF 50 V	02010	SR215C104MAAH
C12	0180-4191	0	1	CAP-FXD TA 33uF 35 V	12340	T322E336K035AS
C13	0160-4084	8	1	CAP-FXD 0.1uF 50 V	02010	SR215C104MAAH
C14	0180-4191	0	1	CAP-FXD TA 33uF 35 V	12340	T322E336K035AS
C15	0160-4832	4	1	CAP-FXD 0.01uF 100 V	02010	SA101C103KAAH
C16	0180-4132	9	1	CAP-FXD 6.8uF 35 V TA	04200	173D685X9035X
C17	0160-4535	4	1	CAP-FXD 1uF +-10% 50 V CER X7R	02010	SR305C105KAAH
C18	0160-4832	4	1	CAP-FXD 0.01uF 100 V	02010	SA101C103KAAH
C19	0160-4084	8	1	CAP-FXD 0.1uF 50 V	02010	SR215C104MAAH
C21	0160-4800	6	1	CAP-FXD 120pF +-5% 100 V CER COG	02010	SA102A121JAAH
C22	0160-4084	8	1	CAP-FXD 0.1uF 50 V	02010	SR215C104MAAH
C23	0160-4084	8	1	CAP-FXD 0.1uF 50 V	02010	SR215C104MAAH
C24	0160-4084	8	1	CAP-FXD 0.1uF 50 V	02010	SR215C104MAAH
C25	0160-4084	8	1	CAP-FXD 0.1uF 50 V	02010	SR215C104MAAH
C26	0160-4535	4	1	CAP-FXD 1uF +-10% 50 V CER X7R	02010	SR305C105KAAH
C27	0160-4535	4	1	CAP-FXD 1uF +-10% 50 V CER X7R	02010	SR305C105KAAH
C28	0160-4084	8	1	CAP-FXD 0.1uF 50 V	02010	SR215C104MAAH
C29	0160-4084	8	1	CAP-FXD 0.1uF 50 V	02010	SR215C104MAAH
C30	0160-4084	8	1	CAP-FXD 0.1uF 50 V	02010	SR215C104MAAH
C31	0160-4084	8	1	CAP-FXD 0.1uF 50 V	02010	SR215C104MAAH
C32	0160-4084	8	1	CAP-FXD 0.1uF 50 V	02010	SR215C104MAAH
C33	0160-4084	8	1	CAP-FXD 0.1uF 50 V	02010	SR215C104MAAH
C34	0160-4084	8	1	CAP-FXD 0.1uF 50 V	02010	SR215C104MAAH
C35	0160-4084	8	1	CAP-FXD 0.1uF 50 V	02010	SR215C104MAAH
C36	0160-4084	8	1	CAP-FXD 0.1uF 50 V	02010	SR215C104MAAH
C37	0160-4084	8	1	CAP-FXD 0.1uF 50 V	02010	SR215C104MAAH
C38	0160-4084	8	1	CAP-FXD 0.1uF 50 V	02010	SR215C104MAAH
C41	0160-4084	8	1	CAP-FXD 0.1uF 50 V	02010	SR215C104MAAH
C42	0160-4084	8	1	CAP-FXD 0.1uF 50 V	02010	SR215C104MAAH
C43	0160-4084	8	1	CAP-FXD 0.1uF 50 V	02010	SR215C104MAAH
C44	0160-4084	8	1	CAP-FXD 0.1uF 50 V	02010	SR215C104MAAH
C45	0160-4084	8	1	CAP-FXD 0.1uF 50 V	02010	SR215C104MAAH
C46	0160-4084	8	1	CAP-FXD 0.1uF 50 V	02010	SR215C104MAAH
C47	0160-4084	8	1	CAP-FXD 0.1uF 50 V	02010	SR215C104MAAH
C48	0160-4084	8	1	CAP-FXD 0.1uF 50 V	02010	SR215C104MAAH
C49	0160-4084	8	1	CAP-FXD 0.1uF 50 V	02010	SR215C104MAAH
C50	0160-4084	8	1	CAP-FXD 0.1uF 50 V	02010	SR215C104MAAH
C51	0160-4535	4	1	CAP-FXD 1uF +-10% 50 V CER X7R	02010	SR305C105KAAH
C53	0160-4084	8	1	CAP-FXD 0.1uF 50 V	02010	SR215C104MAAH
C54	0160-4084	8	1	CAP-FXD 0.1uF 50 V	02010	SR215C104MAAH

**Indicates factory-selected value*

HP Part Number 08590-60115
Tracking Generator Control

Reference Designation	HP Part Number	C	D	Qty	Description	Mfr Code	Mfr Part Number
C55	0160-0127	2		1	CAP-FXD 1uF 50 V	02010	SR835E105MAAH
C57	0160-4084	8		1	CAP-FXD 0.1uF 50 V	02010	SR215C104MAAH
C58	0160-4084	8		1	CAP-FXD 0.1uF 50 V	02010	SR215C104MAAH
C59	0160-4801	7		1	CAP-FXD 100pF +-5% 100 V CER COG	02010	SA102A101JAAH
C60	0160-4801	7		1	CAP-FXD 100pF +-5% 100 V CER COG	02010	SA102A101JAAH
C61	0160-4490	0		1	CAP-FXD 1.8pF 200 V	06352	FD12COG2D1R8C
C63	0160-4490	0		1	CAP-FXD 1.8pF 200 V	06352	FD12COG2D1R8C
C64	0160-4518	3		1	CAP-FXD 3.9pF 200 V	06352	FD12COG2D3R9D
C65	0160-4801	7		1	CAP-FXD 100pF +-5% 100 V CER COG	02010	SA102A101JAAH
C66	0160-4799	2		1	CAP-FXD 2.2pF +-11.36% 100 V CER COG	02010	MA101A2R2CAAH
C67	0160-4389	6		1	CAP-FXD 100pF 200 V	02010	SR202A101JAAH
C68	0160-4084	8		1	CAP-FXD 0.1uF 50 V	02010	SR215C104MAAH
C69	0160-4084	8		1	CAP-FXD 0.1uF 50 V	02010	SR215C104MAAH
C70	0160-4389	6		1	CAP-FXD 100pF 200 V	02010	SR202A101JAAH
C71	0160-4619	5		1	CAP-FXD 2.7pF 200 V	06352	FD12COJ2D2R7C
C81	0160-6588	1		1	CAP-FXD 0.033uF 100 V	02010	SA301C333KAAH
C82	0160-4835	7		1	CAP-FXD 0.1uF 50 V	02010	SA115C104KAAH
C83	0160-2437	1		1	CAP-FXD 5000pF 0 V	03746	54-713-033-X5V-502Z
C84	0160-2437	1		1	CAP-FXD 5000pF 0 V	03746	54-713-033-X5V-502Z
C86	0160-5976	9		1	CAP-FXD 12pF +-5% 50 V CER COG	02010	CC0805COG120J100LR
CR1	1901-0050	3		1	DIODE-SWITCHING 80V 200MA 2NS DO-35	03334	BAV10 SELECTED
CR2	1901-0050	3		1	DIODE-SWITCHING 80V 200MA 2NS DO-35	03334	BAV10 SELECTED
CR3	1901-0050	3		1	DIODE-SWITCHING 80V 200MA 2NS DO-35	03334	BAV10 SELECTED
CR4	1901-0050	3		1	DIODE-SWITCHING 80V 200MA 2NS DO-35	03334	BAV10 SELECTED
CR5	1901-0050	3		1	DIODE-SWITCHING 80V 200MA 2NS DO-35	03334	BAV10 SELECTED
CR6	1901-0050	3		1	DIODE-SWITCHING 80V 200MA 2NS DO-35	03334	BAV10 SELECTED
CR7	1901-0050	3		1	DIODE-SWITCHING 80V 200MA 2NS DO-35	03334	BAV10 SELECTED
CR8	1901-0050	3		1	DIODE-SWITCHING 80V 200MA 2NS DO-35	03334	BAV10 SELECTED
CR9	1901-0033	2		1	DIODE-GEN PRP 180V 200MA DO-35	03406	
CR10	1901-0050	3		1	DIODE-SWITCHING 80V 200MA 2NS DO-35	03334	BAV10 SELECTED
CR11	1901-0050	3		1	DIODE-SWITCHING 80V 200MA 2NS DO-35	03334	BAV10 SELECTED
CR12	0122-0161	4		1	DIODE-VVC 2.15PF 7% BVR=30V	03334	BB405B
CR13	1902-0951	5		1	DIODE-ZNR 5.1V 5% DO-35 PD=.4W TC=+.035%	02037	
DS1	1990-1270	8		1	LED RED AXL .5 MCD	00746	L TZ-MR15
DS2	1990-1270	8		1	LED RED AXL .5 MCD	00746	L TZ-MR15
J1	1252-1469	3		1	CONN-POST TYPE .100-PIN-SPCG 40-CONT	01380	103292-2
J2	1250-0543	8		1	CONNECTOR-RF SM-SNP M PC 50-OHM	05769	51-053-0349-BE8
J3	1250-0543	8		1	CONNECTOR-RF SM-SNP M PC 50-OHM	05769	51-053-0349-BE8
J4	1250-0543	8		1	CONNECTOR-RF SM-SNP M PC 50-OHM	05769	51-053-0349-BE8
J5	1250-0543	8		1	CONNECTOR-RF SM-SNP M PC 50-OHM	05769	51-053-0349-BE8
J6	1250-1020	8		1	CONNECTOR-RF SMA FEM SGL-HOLE-RR 50-OHM	02788	2056-0000-00
L1	9100-2251	0		1	INDUCTOR RF-CH-MLD 220NH +-10% .105D-INX	03273	10M220K
L3	9100-2251	0		1	INDUCTOR RF-CH-MLD 220NH +-10% .105D-INX	03273	10M220K
L5	9140-0736	6		1	INDUCTOR-FIXED L:200 UH MIN @ 0.35 ADC,1	04200	
L6	9135-0080	2		1	INDUCTOR 27NH +-5.556% 2.6D-MMX6.6LG-MM	03273	10M271X-1
MP2	1200-0173	5		1	INSULATOR-XSTR DAP-GL	02210	A-10001 DAP
MP3	08590-00042	5		1	COVER VTO SHIELD	28480	08590-00042

HP Part Number 08590-60115
Tracking Generator Control

Reference Designation	HP Part Number	C D	Qty	Description	Mfr Code	Mfr Part Number
MP4	08590-20188	2	1	SHIELD VTO	28480	08590-20188
MP5	08590-20189	3	1	COVER BOTTOM VTO	28480	08590-20189
MP6	0520-0181	2	8	SCREW-MACH 2-56 .875-IN-LG PAN-HD-POZI	01125	
MP7	7121-5246	1	1	LABEL GENERIC RECT	09002	
MP8	1200-0172	4	4	INSULATOR-XSTR DAP-GL	02210	10042-DAP
P1	1252-2349	0	1	CONN-POST TYPE .100-PIN-SPCG 12-CONT	02946	78207-112
Q1	1854-0295	7	1	TRANSISTOR-DUAL NPN TO-78 PD=400MW	02037	
Q2	1853-0075	9	1	TRANSISTOR-DUAL PNP PD=400MW	02037	
Q3	1854-0295	7	1	TRANSISTOR-DUAL NPN TO-78 PD=400MW	02037	
Q4	1854-0295	7	1	TRANSISTOR-DUAL NPN TO-78 PD=400MW	02037	
Q5	1853-0075	9	1	TRANSISTOR-DUAL PNP PD=400MW	02037	
Q6	1854-0295	7	1	TRANSISTOR-DUAL NPN TO-78 PD=400MW	02037	
Q7	1855-0276	6	1	TRANSISTOR J-FET 2N4416A N-CHAN D-MODE T	02037	2N4416A
Q8	1855-0276	6	1	TRANSISTOR J-FET 2N4416A N-CHAN D-MODE T	02037	2N4416A
Q9	1855-0276	6	1	TRANSISTOR J-FET 2N4416A N-CHAN D-MODE T	02037	2N4416A
Q10	1855-0276	6	1	TRANSISTOR J-FET 2N4416A N-CHAN D-MODE T	02037	2N4416A
Q11	1853-0388	7	1	TRANSISTOR-DUAL PNP TO-78 PD=600MW	02037	
Q12	1853-0036	2	1	TRANSISTOR PNP SI PD=310MW FT=250MHZ	02037	2N3906(SEL)
Q13	1854-0215	1	1	TRANSISTOR NPN SI TO-92 PD=625MW FT=300M	00746	2N3904
Q14	1855-0555	4	1	TRANSISTOR MOSFET N-CHAN E-MODE SI	02883	VN0300L
Q15	1853-0036	2	1	TRANSISTOR PNP SI PD=310MW FT=250MHZ	02037	2N3906(SEL)
Q16	1854-0215	1	1	TRANSISTOR NPN SI TO-92 PD=625MW FT=300M	00746	2N3904
Q17	1853-0036	2	1	TRANSISTOR PNP SI PD=310MW FT=250MHZ	02037	2N3906(SEL)
Q18	1854-0946	5	1	TRANSISTOR NPN SI PD=290MW	00039	NE02135
Q19	1853-0036	2	1	TRANSISTOR PNP SI PD=310MW FT=250MHZ	02037	2N3906(SEL)
Q20	1854-0946	5	1	TRANSISTOR NPN SI PD=290MW	00039	NE02135
R1	0698-7236	7	1	RESISTOR 1K +-1% .05W TF TC=0+-100	00746	CRB20
R2	0698-8827	4	1	RESISTOR 1M +-1% .125W TF TC=0+-100	00746	CRB14 OR CRB25
R3	0698-7264	1	1	RESISTOR 14.7K +-1% .05W TF TC=0+-100	00746	CRB20
R4	0698-7271	0	1	RESISTOR 28.7K +-1% .05W TF TC=0+-100	00746	CRB20
R5	0698-7273	2	1	RESISTOR 34.8K +-1% .05W TF TC=0+-100	00746	CRB20
R6	0698-7212	9	1	RESISTOR 100 +-1% .05W TF TC=0+-100	00746	CRB20
R7	0698-7221	0	1	RESISTOR 237 +-1% .05W TF TC=0+-100	00746	CRB20
R8	0698-7236	7	1	RESISTOR 1K +-1% .05W TF TC=0+-100	00746	CRB20
R9	0698-7260	7	1	RESISTOR 10K +-1% .05W TF TC=0+-100	00746	CRB20
R11	0698-7247	0	1	RESISTOR 2.87K +-1% .05W TF TC=0+-100	00746	CRB20
R12	0698-7252	7	1	RESISTOR 4.64K +-1% .05W TF TC=0+-100	00746	CRB20
R13	0698-7252	7	1	RESISTOR 4.64K +-1% .05W TF TC=0+-100	00746	CRB20
R14	0698-7221	0	1	RESISTOR 237 +-1% .05W TF TC=0+-100	00746	CRB20
R15	0698-7243	6	1	RESISTOR 1.96K +-1% .05W TF TC=0+-100	00746	CRB20
R16	0698-7284	5	1	RESISTOR 100K +-1% .05W TF TC=0+-100	00746	CRB20
R17	0698-3266	5	1	RESISTOR 237K 1% .125W TF TC=0+-100	00746	CRB14 OR CRB25
R18	0698-7236	7	1	RESISTOR 1K +-1% .05W TF TC=0+-100	00746	CRB20
R19	0698-8827	4	1	RESISTOR 1M +-1% .125W TF TC=0+-100	00746	CRB14 OR CRB25
R20	0698-6361	7	1	RESISTOR 8K +-0.1% .125W TF TC=0+-25	00746	CRB14 OR CRB25
R21	0698-6624	5	1	RESISTOR 2K +-0.1% .125W TF TC=0+-25	00746	CRB14 OR CRB25
R22	0698-6360	6	1	RESISTOR 10K +-0.1% .125W TF TC=0+-25	00746	CRB14 OR CRB25

**Indicates factory-selected value*

**HP Part Number 08590-60115
Tracking Generator Control**

Reference Designation	HP Part Number	C D	Qty	Description	Mfr Code	Mfr Part Number
R23	0698-6320	8	1	RESISTOR 5K +-0.1% .125W TF TC=0+-25	00746	CRB14 OR CRB25
R24	0698-6360	6	1	RESISTOR 10K +-0.1% .125W TF TC=0+-25	00746	CRB14 OR CRB25
R25	0698-7236	7	1	RESISTOR 1K +-1% .05W TF TC=0+-100	00746	CRB20
R26	0698-7243	6	1	RESISTOR 1.96K +-1% .05W TF TC=0+-100	00746	CRB20
R27	0698-7284	5	1	RESISTOR 100K +-1% .05W TF TC=0+-100	00746	CRB20
R28	0698-7284	5	1	RESISTOR 100K +-1% .05W TF TC=0+-100	00746	CRB20
R29	0698-7268	5	1	RESISTOR 21.5K +-1% .05W TF TC=0+-100	00746	CRB20
R30	0698-7284	5	1	RESISTOR 100K +-1% .05W TF TC=0+-100	00746	CRB20
R31	0698-7268	5	1	RESISTOR 21.5K +-1% .05W TF TC=0+-100	00746	CRB20
R32	0757-0421	4	1	RESISTOR 825 +-1% .125W TF TC=0+-100	00746	CRB14 OR CRB25
R33	0698-6362	8	1	RESISTOR 1K +-0.1% .125W TF TC=0+-25	00746	CRB14 OR CRB25
R34	0698-6322	0	1	RESISTOR 4K +-0.1% .125W TF TC=0+-25	00746	CRB14 OR CRB25
R35	0757-0288	1	1	RESISTOR 9.09K +-1% .125W TF TC=0+-100	00746	CRB14 OR CRB25
R36	0698-6353	7	1	RESISTOR 50K +-0.1% .125W TF TC=0+-25	00746	CRB14 OR CRB25
R37	0698-7284	5	1	RESISTOR 100K +-1% .05W TF TC=0+-100	00746	CRB20
R38	0698-7268	5	1	RESISTOR 21.5K +-1% .05W TF TC=0+-100	00746	CRB20
R39	0698-7284	5	1	RESISTOR 100K +-1% .05W TF TC=0+-100	00746	CRB20
R40	0698-7268	5	1	RESISTOR 21.5K +-1% .05W TF TC=0+-100	00746	CRB20
R41	0698-6619	8	1	RESISTOR 15K +-0.1% .125W TF TC=0+-25	00746	CRB14 OR CRB25
R42	0698-7236	7	1	RESISTOR 1K +-1% .05W TF TC=0+-100	00746	CRB20
R43	2100-3750	9	1	RESISTOR-TRMR 20K 10% TKF SIDE-ADJ 17-TR	03744	3296X-DM3-203
R44	0698-7244	7	1	RESISTOR 2.15K +-1% .05W TF TC=0+-100	00746	CRB20
R45	0698-7275	4	1	RESISTOR 42.2K +-1% .05W TF TC=0+-100	00746	CRB20
R46	0698-3429	2	1	RESISTOR 19.6 1% .125W TF TC=0+-100	00746	CRB14 OR CRB25
R47	0811-3619	4	1	RESISTOR 260 +-2% .125W PN TC=+3400+-300	01854	R3129
R48	0698-3266	5	1	RESISTOR 237K 1% .125W TF TC=0+-100	00746	CRB14 OR CRB25
R49	2100-3750	9	1	RESISTOR-TRMR 20K 10% TKF SIDE-ADJ 17-TR	03744	3296X-DM3-203
R50	0698-7267	4	1	RESISTOR 19.6K +-1% .05W TF TC=0+-100	00746	CRB20
R51	0811-3575	1	1	RESISTOR 3K +-2% .125W PN TC=+5600+-300	01854	R3118
R52	0698-3266	5	1	RESISTOR 237K 1% .125W TF TC=0+-100	00746	CRB14 OR CRB25
R53	0698-7212	9	1	RESISTOR 100 +-1% .05W TF TC=0+-100	00746	CRB20
R54	0698-7236	7	1	RESISTOR 1K +-1% .05W TF TC=0+-100	00746	CRB20
R55	0698-7236	7	1	RESISTOR 1K +-1% .05W TF TC=0+-100	00746	CRB20
R56	0698-6630	3	1	RESISTOR 20K +-0.1% .125W TF TC=0+-25	00746	CRB14 OR CRB25
R57	0698-6360	6	1	RESISTOR 10K +-0.1% .125W TF TC=0+-25	00746	CRB14 OR CRB25
R58	0698-6360	6	1	RESISTOR 10K +-0.1% .125W TF TC=0+-25	00746	CRB14 OR CRB25
R59	0698-6360	6	1	RESISTOR 10K +-0.1% .125W TF TC=0+-25	00746	CRB14 OR CRB25
R60	0698-6320	8	1	RESISTOR 5K +-0.1% .125W TF TC=0+-25	00746	CRB14 OR CRB25
R61	0811-3575	1	1	RESISTOR 3K +-2% .125W PN TC=+5600+-300	01854	R3118
R62	0698-6624	5	1	RESISTOR 2K +-0.1% .125W TF TC=0+-25	00746	CRB14 OR CRB25
R63	0698-7247	0	1	RESISTOR 2.87K +-1% .05W TF TC=0+-100	00746	CRB20
R64	0698-7241	4	1	RESISTOR 1.62K +-1% .05W TF TC=0+-100	00746	CRB20
R65	0698-7260	7	1	RESISTOR 10K +-1% .05W TF TC=0+-100	00746	CRB20
R66	0698-7260	7	1	RESISTOR 10K +-1% .05W TF TC=0+-100	00746	CRB20
R67	0698-3627	2	1	RESISTOR 200 5% 2W MO TC=0+-200	02499	GS-3
R68	0698-7253	8	1	RESISTOR 5.11K +-1% .05W TF TC=0+-100	00746	CRB20
R69	0698-7260	7	1	RESISTOR 10K +-1% .05W TF TC=0+-100	00746	CRB20
R70	0698-7260	7	1	RESISTOR 10K +-1% .05W TF TC=0+-100	00746	CRB20

HP Part Number 08590-60115
Tracking Generator Control

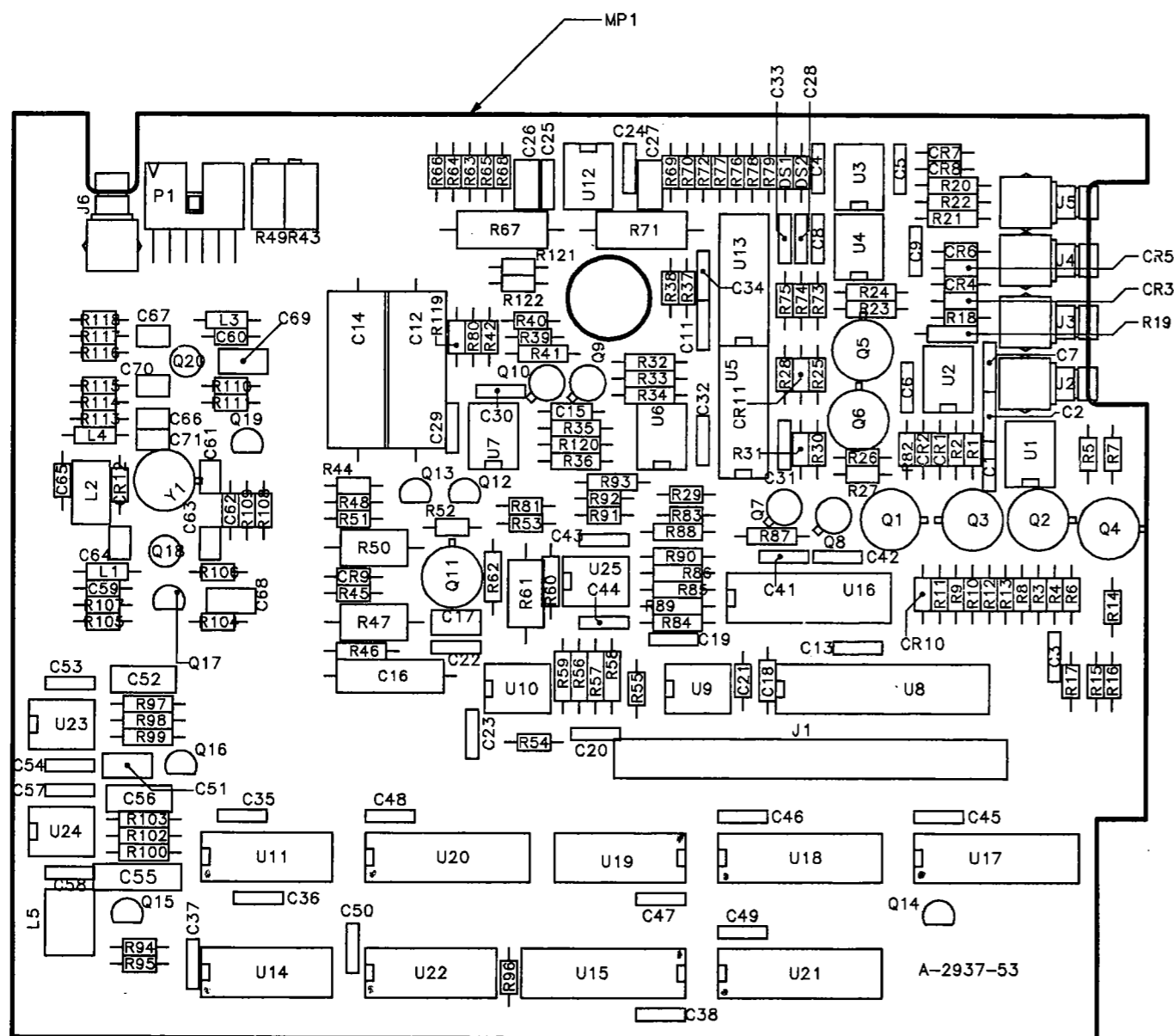
Reference Designation	HP Part Number	C D	Qty	Description	Mfr Code	Mfr Part Number
R71	0698-3627	2	1	RESISTOR 200 5% 2W MO TC=0+-200	02499	GS-3
R72	0698-7253	8	1	RESISTOR 5.11K +-1% .05W TF TC=0+-100	00746	CRB20
R73	0698-7256	1	1	RESISTOR 6.81K +-1% .05W TF TC=0+-100	00746	CRB20
R74	0698-7216	3	1	RESISTOR 147 +-1% .05W TF TC=0+-100	00746	CRB20
R75	0698-7244	7	1	RESISTOR 2.15K +-1% .05W TF TC=0+-100	00746	CRB20
R76	0698-7264	1	1	RESISTOR 14.7K +-1% .05W TF TC=0+-100	00746	CRB20
R77	0698-7286	7	1	RESISTOR 121K +-1% .05W TF TC=0+-100	00746	CRB20
R78	0698-7228	7	1	RESISTOR 464 +-1% .05W TF TC=0+-100	00746	CRB20
R79	0698-7228	7	1	RESISTOR 464 +-1% .05W TF TC=0+-100	00746	CRB20
R80	0698-7236	7	1	RESISTOR 1K +-1% .05W TF TC=0+-100	00746	CRB20
R81	0698-7236	7	1	RESISTOR 1K +-1% .05W TF TC=0+-100	00746	CRB20
R82	0698-8827	4	1	RESISTOR 1M +-1% .125W TF TC=0+-100	00746	CRB14 OR CRB25
R83	0757-0280	3	1	RESISTOR 1K +-1% .125W TF TC=0+-100	00746	CRB14 OR CRB25
R84	0698-6360	6	1	RESISTOR 10K +-0.1% .125W TF TC=0+-25	00746	CRB14 OR CRB25
R85	0698-6360	6	1	RESISTOR 10K +-0.1% .125W TF TC=0+-25	00746	CRB14 OR CRB25
R86	0698-6360	6	1	RESISTOR 10K +-0.1% .125W TF TC=0+-25	00746	CRB14 OR CRB25
R87	0698-6360	6	1	RESISTOR 10K +-0.1% .125W TF TC=0+-25	00746	CRB14 OR CRB25
R88	0698-6774	6	1	RESISTOR 150 +-0.1% .125W TF TC=0+-25	00746	CRB14 OR CRB25
R89	0757-0279	0	1	RESISTOR 3.16K +-1% .125W TF TC=0+-100	00746	CRB14 OR CRB25
R90	0698-6360	6	1	RESISTOR 10K +-0.1% .125W TF TC=0+-25	00746	CRB14 OR CRB25
R91	0698-7236	7	1	RESISTOR 1K +-1% .05W TF TC=0+-100	00746	CRB20
R92	0698-7229	8	1	RESISTOR 511 +-1% .05W TF TC=0+-100	00746	CRB20
R93	0757-0346	2	1	RESISTOR 10 +-1% .125W TF TC=0+-100	00746	CRB14 OR CRB25
R94	0698-7260	7	1	RESISTOR 10K +-1% .05W TF TC=0+-100	00746	CRB20
R95	0698-7260	7	1	RESISTOR 10K +-1% .05W TF TC=0+-100	00746	CRB20
R96	0698-7260	7	1	RESISTOR 10K +-1% .05W TF TC=0+-100	00746	CRB20
R97	0757-0442	9	1	RESISTOR 10K +-1% .125W TF TC=0+-100	00746	CRB14 OR CRB25
R98	0757-0442	9	1	RESISTOR 10K +-1% .125W TF TC=0+-100	00746	CRB14 OR CRB25
R99	0757-0442	9	1	RESISTOR 10K +-1% .125W TF TC=0+-100	00746	CRB14 OR CRB25
R100	0757-0442	9	1	RESISTOR 10K +-1% .125W TF TC=0+-100	00746	CRB14 OR CRB25
R102	0757-0442	9	1	RESISTOR 10K +-1% .125W TF TC=0+-100	00746	CRB14 OR CRB25
R103	0757-0442	9	1	RESISTOR 10K +-1% .125W TF TC=0+-100	00746	CRB14 OR CRB25
R104	0698-7253	8	1	RESISTOR 5.11K +-1% .05W TF TC=0+-100	00746	CRB20
R105	0698-7250	5	1	RESISTOR 3.83K +-1% .05W TF TC=0+-100	00746	CRB20
R106	0698-7253	8	1	RESISTOR 5.11K +-1% .05W TF TC=0+-100	00746	CRB20
R107	0698-7229	8	1	RESISTOR 511 +-1% .05W TF TC=0+-100	00746	CRB20
R108	0698-7253	8	1	RESISTOR 5.11K +-1% .05W TF TC=0+-100	00746	CRB20
R109	0698-7250	5	1	RESISTOR 3.83K +-1% .05W TF TC=0+-100	00746	CRB20
R110	0698-7253	8	1	RESISTOR 5.11K +-1% .05W TF TC=0+-100	00746	CRB20
R111	0698-3443	0	1	RESISTOR 287 1% .125W TF TC=0+-100	00746	CRB14 OR CRB25
R113	0698-7214	1	1	RESISTOR 121 +-1% .05W TF TC=0+-100	00746	CRB20
R114	0698-7205	0	1	RESISTOR 51.1 +-1% .05W TF TC=0+-100	00746	CRB20
R115	0698-7214	1	1	RESISTOR 121 +-1% .05W TF TC=0+-100	00746	CRB20
R116	0698-7214	1	1	RESISTOR 121 +-1% .05W TF TC=0+-100	00746	CRB20
R117	0698-7205	0	1	RESISTOR 51.1 +-1% .05W TF TC=0+-100	00746	CRB20
R118	0698-7214	1	1	RESISTOR 121 +-1% .05W TF TC=0+-100	00746	CRB20
R119	0698-7236	7	1	RESISTOR 1K +-1% .05W TF TC=0+-100	00746	CRB20

**Indicates factory-selected value*

HP Part Number 08590-60115
Tracking Generator Control

Reference Designation	HP Part Number	C D	Qty	Description	Mfr Code	Mfr Part Number
R120	0698-6360	6	1	RESISTOR 10K +-0.1% .125W TF TC=0+-25	00746	CRB14 OR CRB25
R121	0698-7263	0	1	RESISTOR 13.3K +-1% .05W TF TC=0+-100	00746	CRB20
R122	0698-7240	3	1	RESISTOR 1.47K +-1% .05W TF TC=0+-100	00746	CRB20
R123	0757-0276	7	1	RESISTOR 61.9 +-1% .125W TF TC=0+-100	00746	CRB14 OR CRB25
R124	0698-8827	4	1	RESISTOR 1M +-1% .125W TF TC=0+-100	00746	CRB14 OR CRB25
R126	0698-7253	8	1	RESISTOR 5.11K +-1% .05W TF TC=0+-100	00746	CRB20
R127	0698-6320	8	1	RESISTOR 5K +-0.1% .125W TF TC=0+-25	00746	CRB14 OR CRB25
R128	0757-0422	5	1	RESISTOR 909 +-1% .125W TF TC=0+-100	00746	CRB14 OR CRB25
U1	1826-1381	5	1	IC OP AMP LOW-BIAS-H-IMPDP 8-DIP-P PKG	10858	LT1012CN8
U2	1826-1381	5	1	IC OP AMP LOW-BIAS-H-IMPDP 8-DIP-P PKG	10858	LT1012CN8
U3	1826-1381	5	1	IC OP AMP LOW-BIAS-H-IMPDP 8-DIP-P PKG	10858	LT1012CN8
U4	1826-1381	5	1	IC OP AMP LOW-BIAS-H-IMPDP 8-DIP-P PKG	10858	LT1012CN8
U5	1826-0759	9	1	IC COMPARATOR GP QUAD 14-DIP-C PKG	02037	LM339J
U6	1826-1381	5	1	IC OP AMP LOW-BIAS-H-IMPDP 8-DIP-P PKG	10858	LT1012CN8
U7	1826-1049	2	1	IC OP AMP PRCN 8-DIP-C PKG	02180	OP-27GZ
U8	1826-1933	3	1	D/A 12-BIT 24-PLASTIC CMOS	03285	AD7547KN
U9	1826-1436	1	1	IC OP AMP PRCN DUAL 8-DIP-C PKG	10858	LT1013ACJ8
U10	1826-1436	1	1	IC OP AMP PRCN DUAL 8-DIP-C PKG	10858	LT1013ACJ8
U11	1826-0609	8	1	ANALOG MULTIPLEXER 8 CHNL 16 -CERDIP	02180	MUX-08FQ
U12	1826-0785	1	1	IC OP AMP LOW-BIAS-H-IMPDP DUAL 8-DIP-C	01698	TL072ACJG
U13	1826-0141	3	1	IC COMPARATOR GP DUAL 14-DIP-C PKG	03406	LM319J
U14	1820-3173	5	1	IC FF CMOS/74HC J-K NEG-EDGE-TRIG PRESET	02037	MC74HC112N
U15	1820-3790	2	1	IC LCH CMOS/74HC D-TYPE OCTL	02037	MC74HC573N
U16	1826-1234	7	1	D/A 8-BIT 20-CERDIP CMOS	02180	PW7226FR
U17	08590-80105	9	1		28480	08590-80105
U18	1820-3789	9	1	IC FF CMOS/74HC D-TYPE POS-EDGE-TRIG COM	02037	MC74HC574N
U19	1820-3079	0	1	IC DCDR CMOS/74HC BIN 3-TO-8-LINE	02037	MC74HC138N
U20	1820-3789	9	1	IC FF CMOS/74HC D-TYPE POS-EDGE-TRIG COM	02037	MC74HC574N
U21	1820-3789	9	1	IC FF CMOS/74HC D-TYPE POS-EDGE-TRIG COM	02037	MC74HC574N
U22	1858-0047	5	1	TRANSISTOR ARRAY 16-PIN PLSTC DIP	02037	
U23	1826-1048	1	1	IC OP AMP PRCN 8-DIP-C PKG	02180	OP-07CZ
U24	1826-1048	1	1	IC OP AMP PRCN 8-DIP-C PKG	02180	OP-07CZ
U25	1826-1048	1	1	IC OP AMP PRCN 8-DIP-C PKG	02180	OP-07CZ
W1	8151-0011	2		WIRE 18AWG 1X18	01185	
Y1	0410-2139	1	1	RESONATOR-SURF ACST W FREQUENCY:707.13 M	12127	RP-1193

SYM	REVISIONS	APPROVED	DATE
A			



NOTES: UNLESS OTHERWISE SPECIFIED

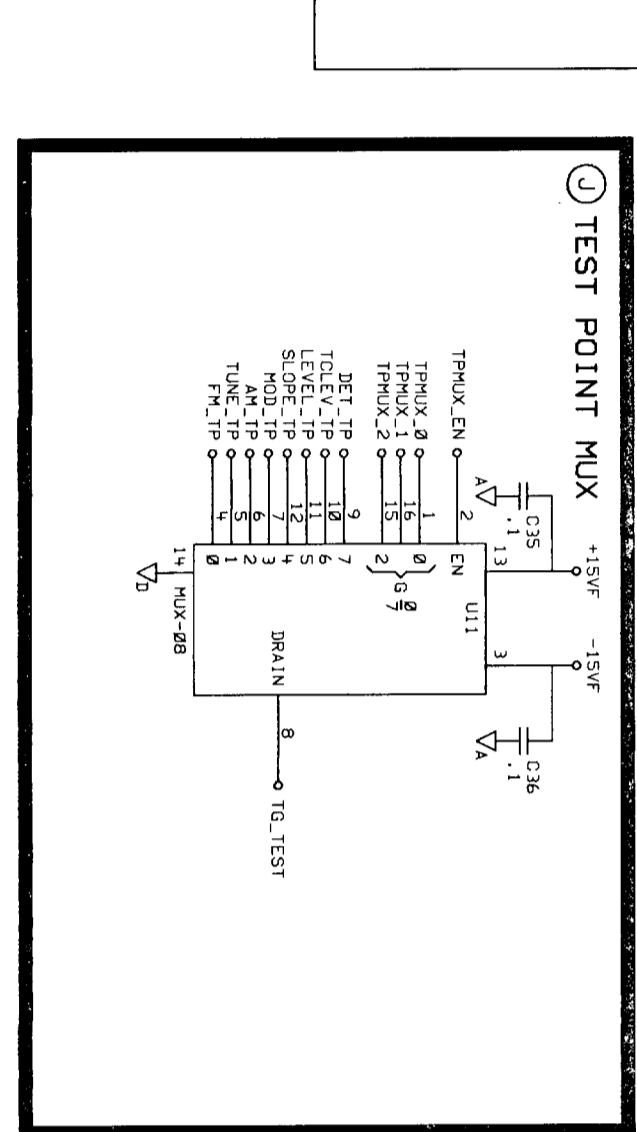
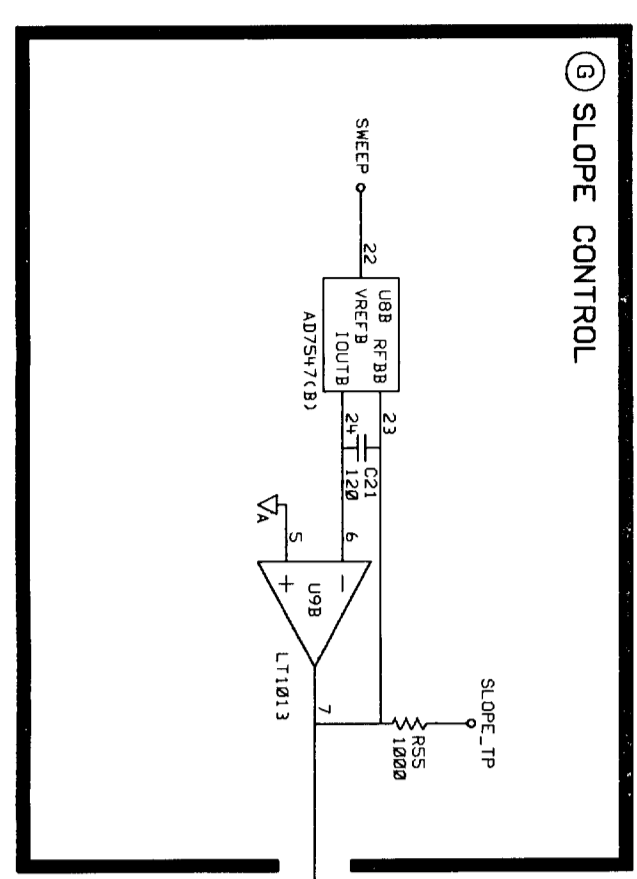
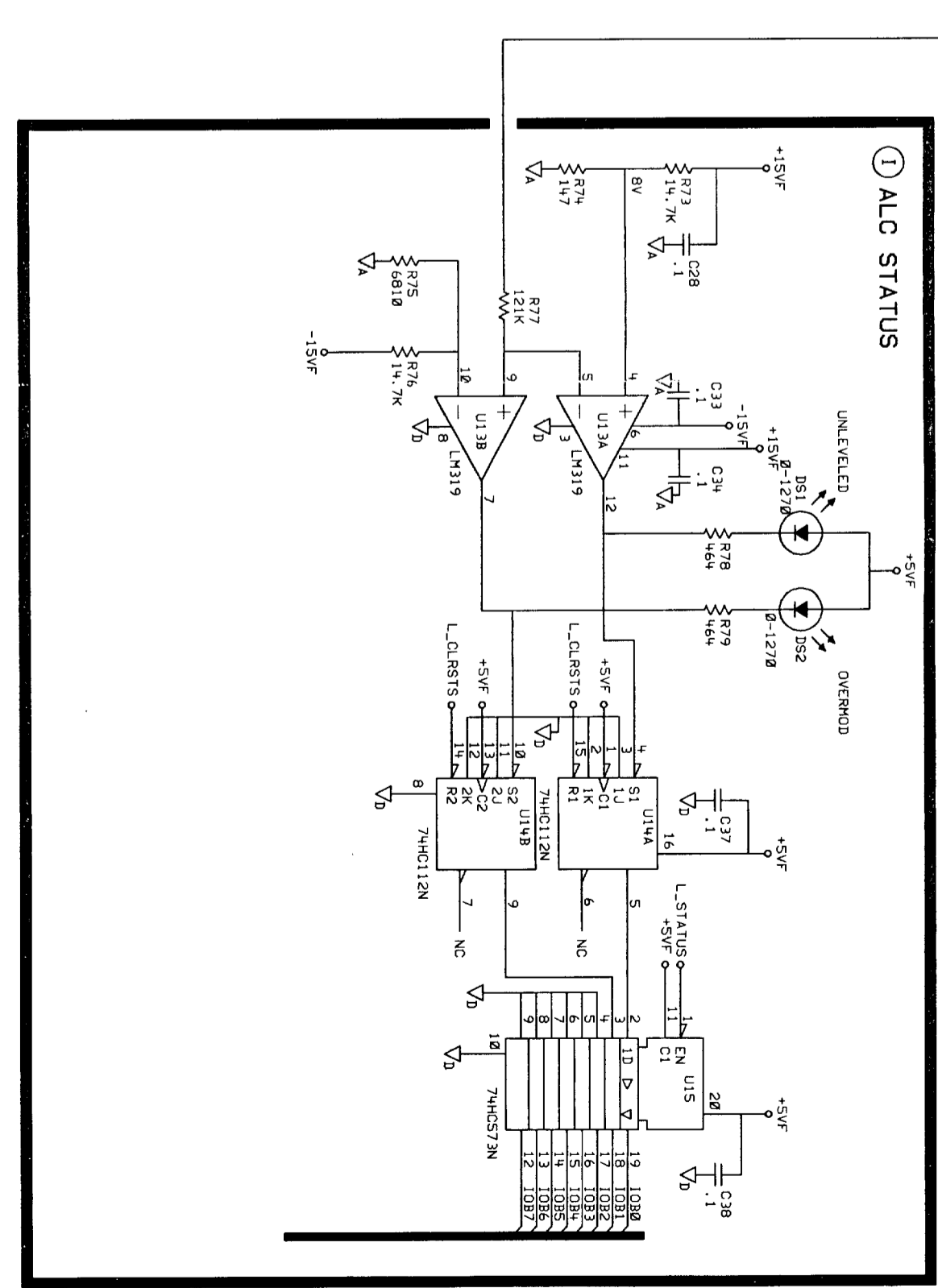
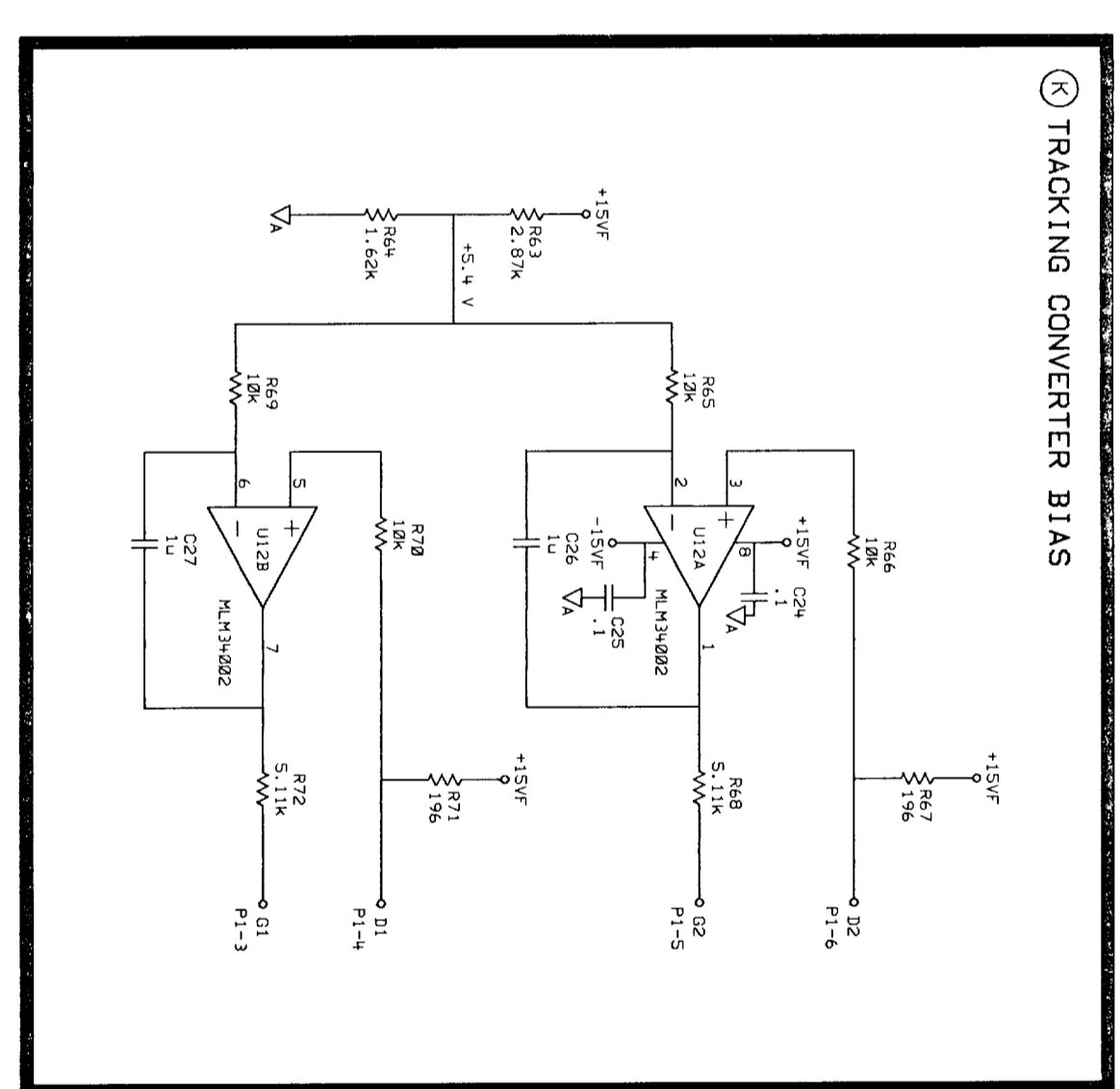
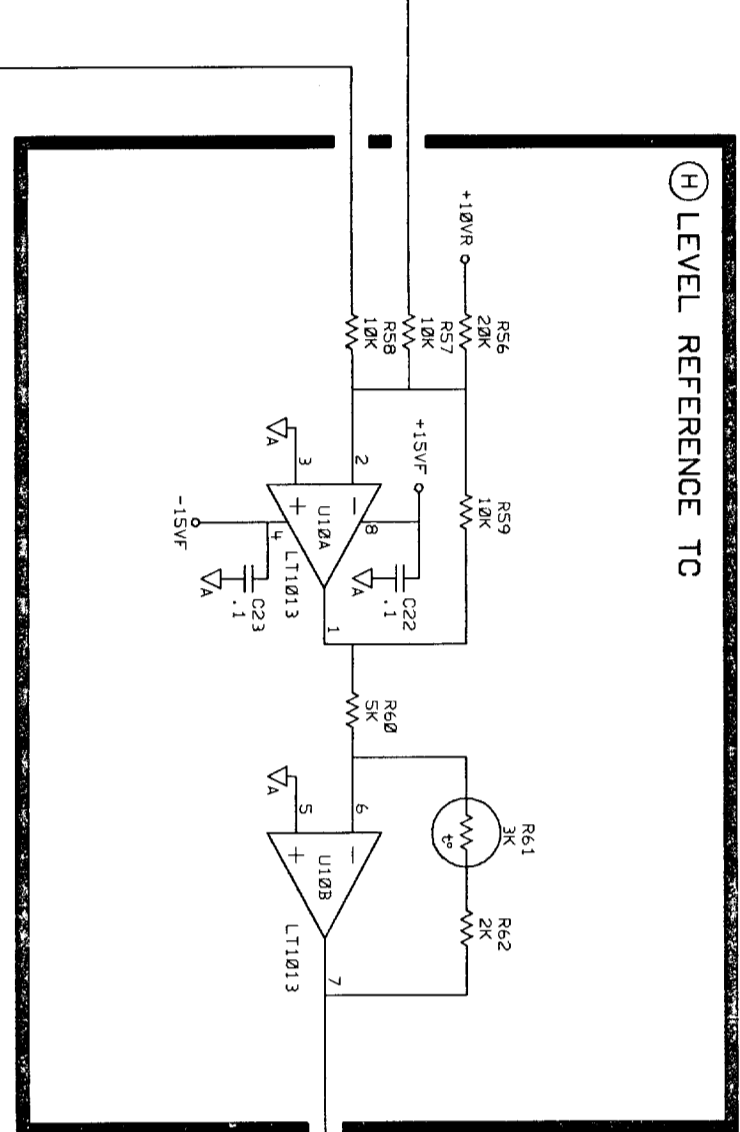
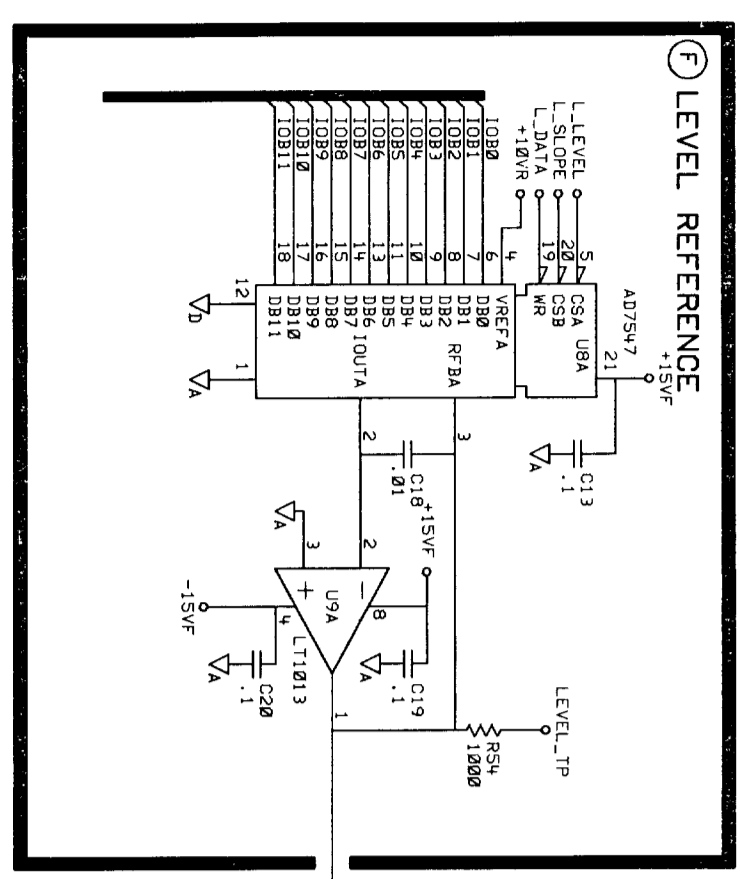
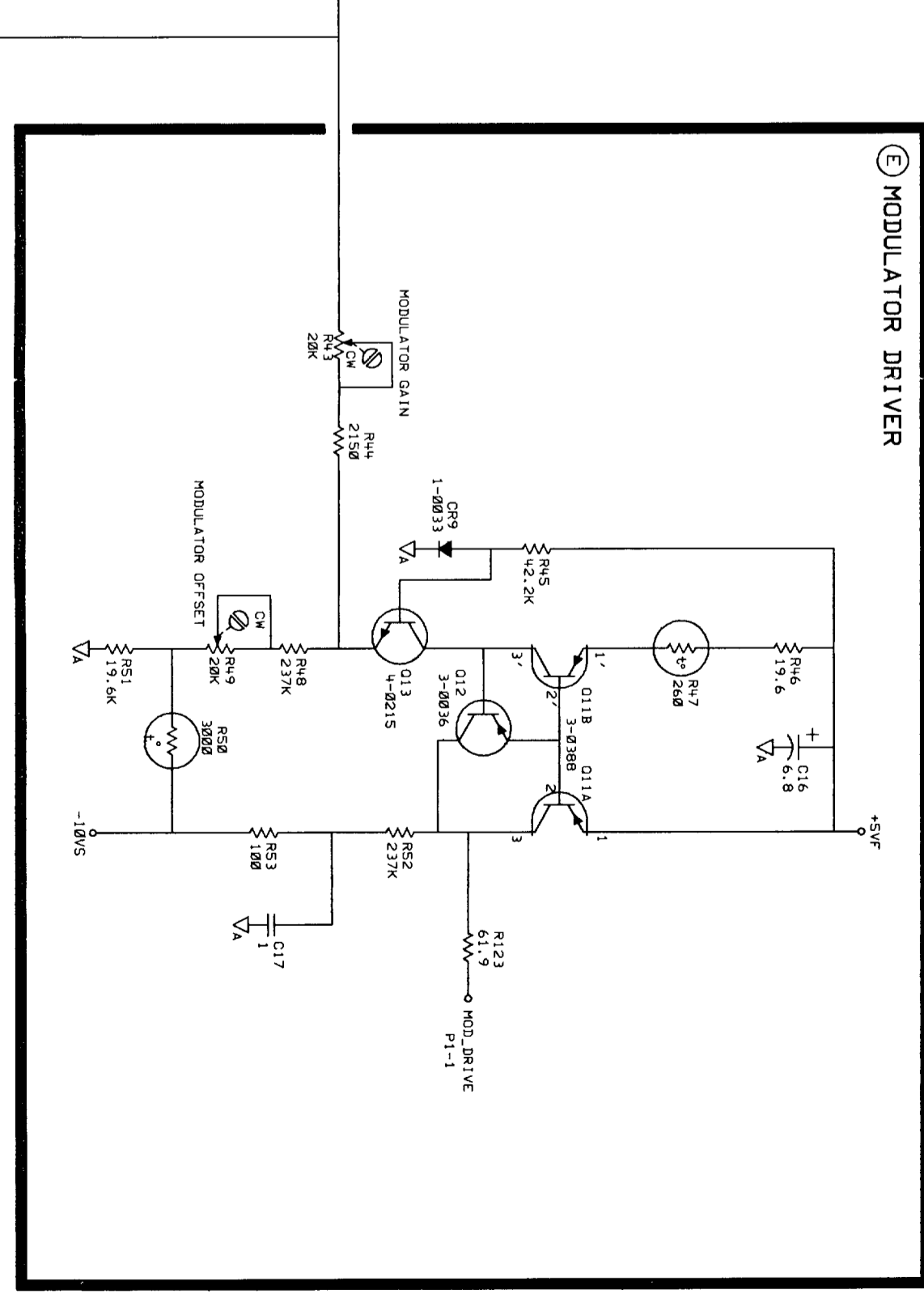
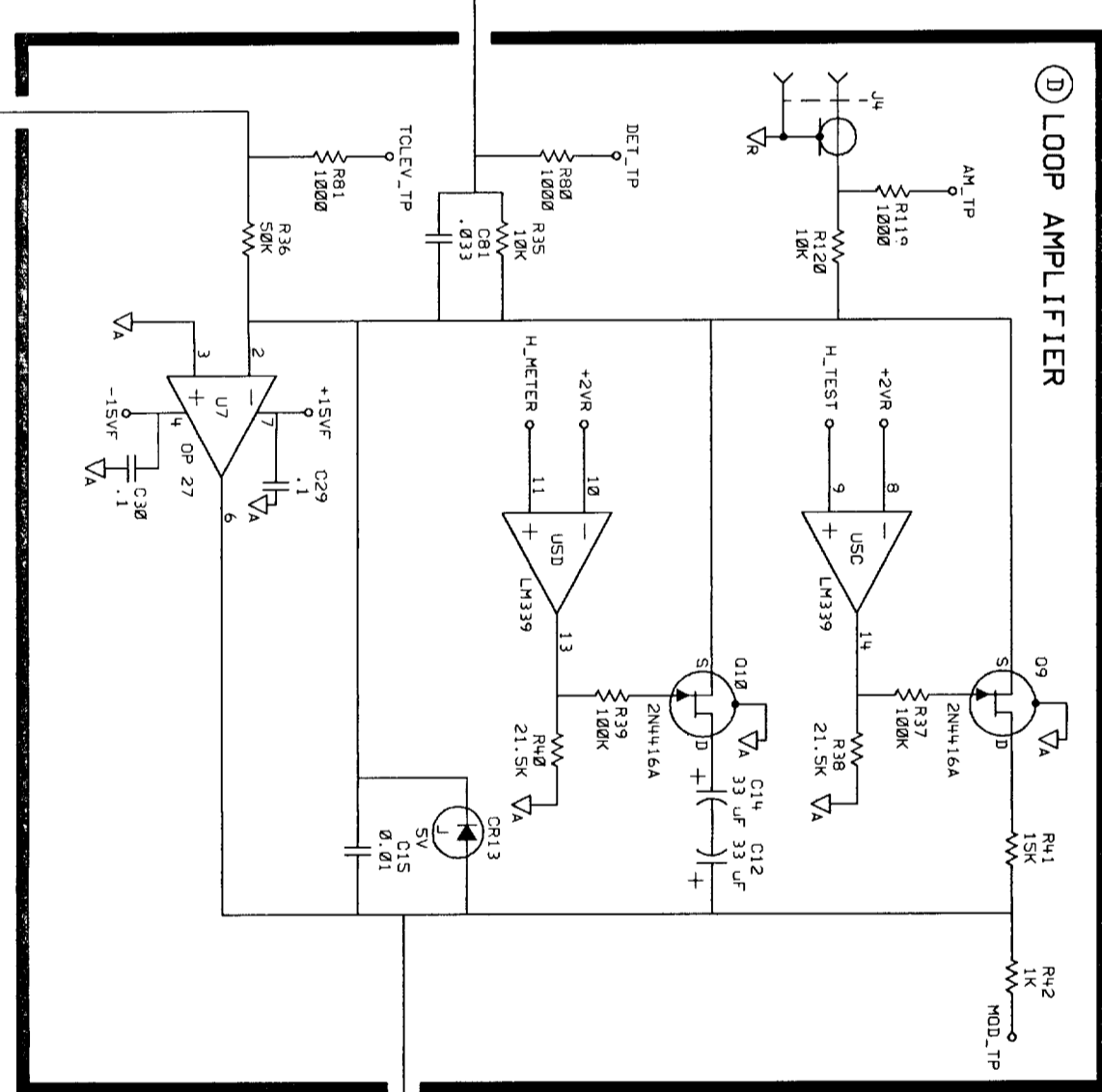
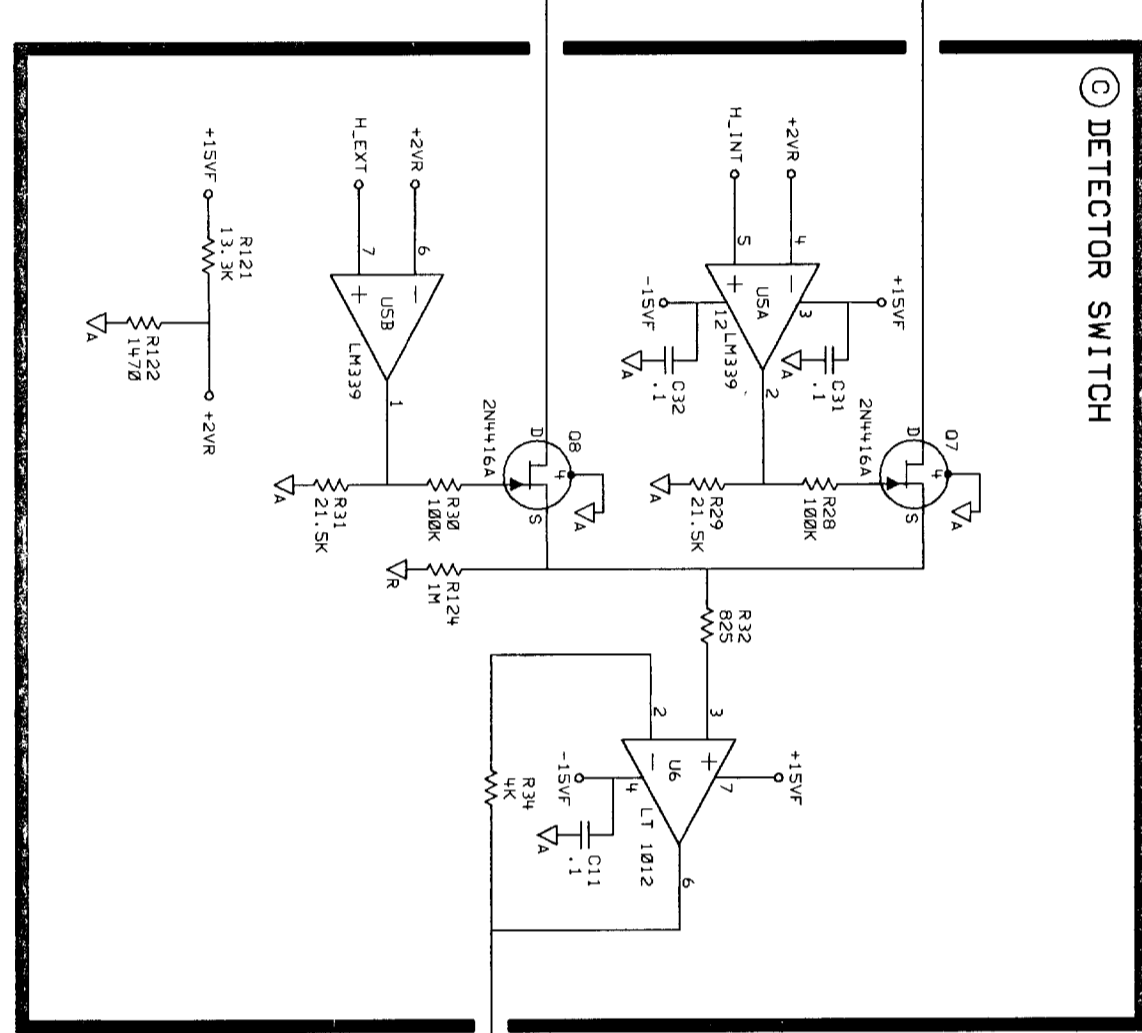
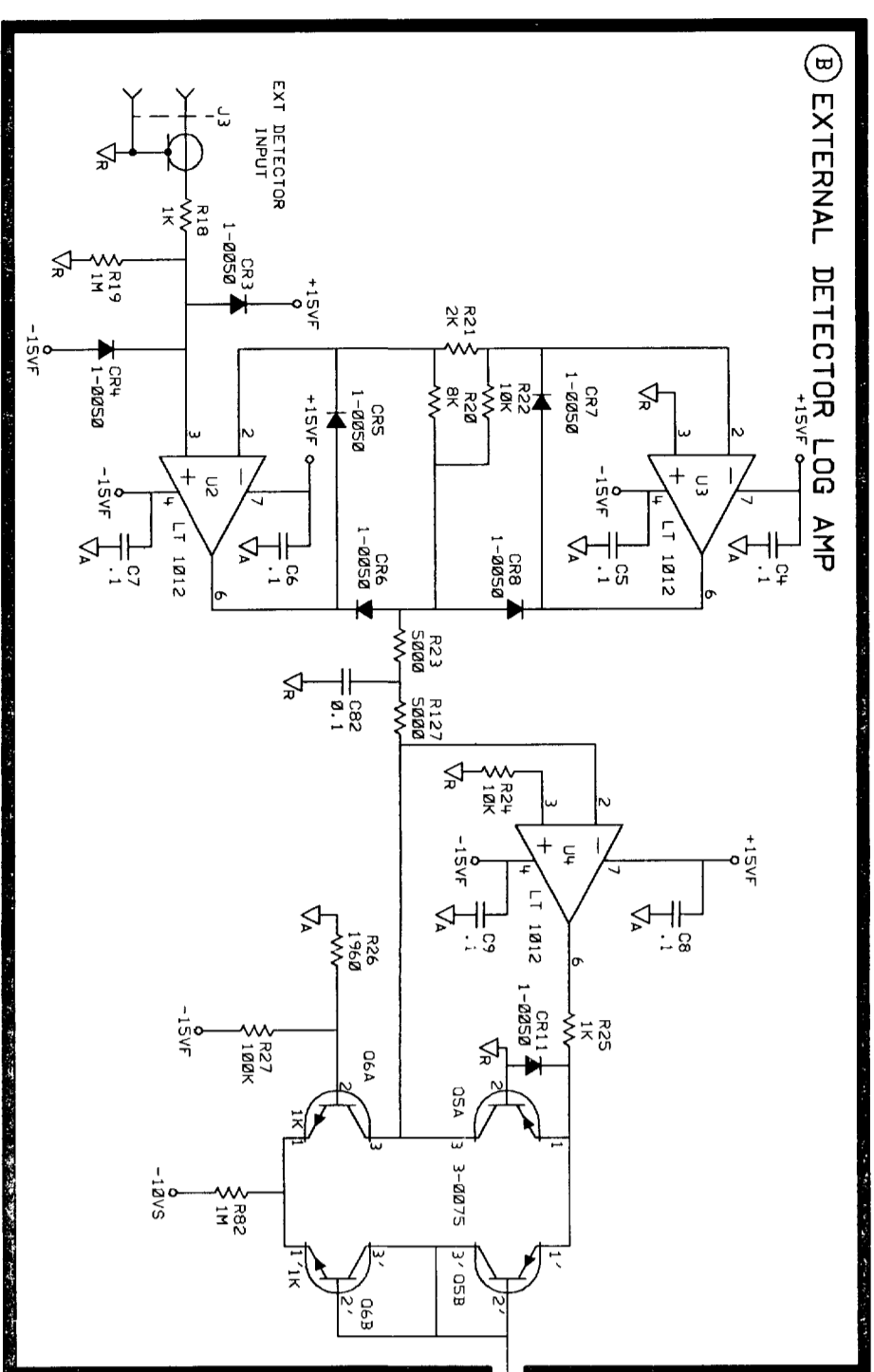
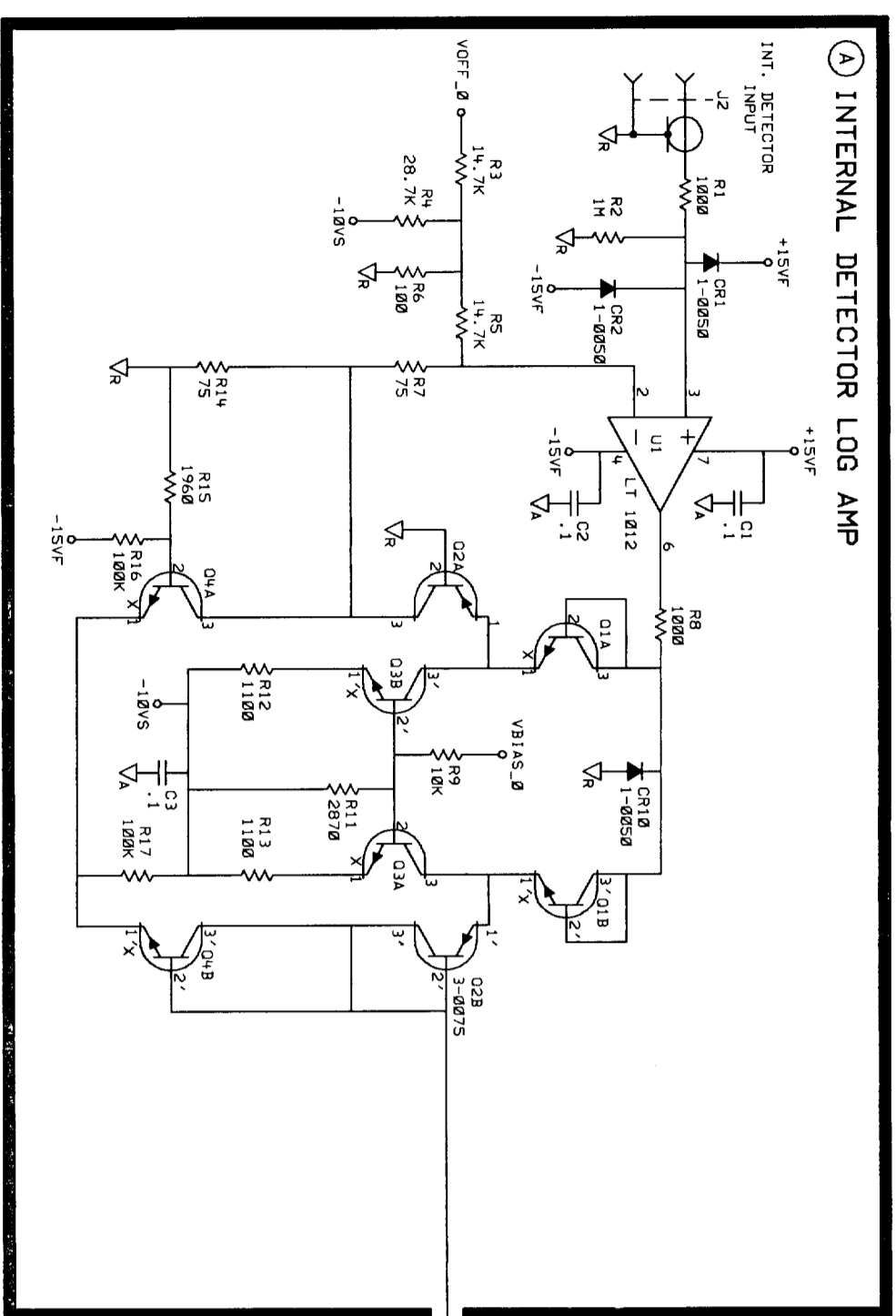
1. DIMENSIONS ARE IN INCHES.
2. REMOVE TABS AFTER WAVE SOLDER.
3. MAXIMUM COMPONENT HEIGHT _____.
4. MAXIMUM LEAD TRIM LENGTH .080.
5. CHECK FOR MODIFICATIONS IN THE P.C. LINE ASSEMBLY DOCUMENTATION MANUAL A-08590-A7A1.
6. MAXIMUM COMPONENT HEIGHT CONTROLLED BY ASSOCIATED BOARDS IN SYSTEM.

SEE 08590-60115 MATERIAL LIST

HP PROPRIETARY
THIS DOCUMENT CONTAINS CONFIDENTIAL
PROPRIETARY INFORMATION THAT IS
HEWLETT-PACKARD (HP) PROPERTY. DO
NOT DISCLOSE TO OR DUPLICATE FOR
OTHERS EXCEPT AS AUTHORIZED BY HP.

UNLESS OTHERWISE SPECIFIED, DIMENSIONS ARE IN INCHES.	DRAWN BY	DATE	BOARD ASSEMBLY- TRACKING GEN	
	TOLERANCES: XX.XXX 0.015	ENGINEER/CHECKER		
SEE CORP. STD. 808	RELEASED TO PROD.		TITLE	PART NUMBER 08590-60115
	SUPERSEDES DWG.		NONE	D-08590-60115-2
			SCALE	SHEET 1 of 1

SYM	REVISIONS	APPROVED	DATE
A			

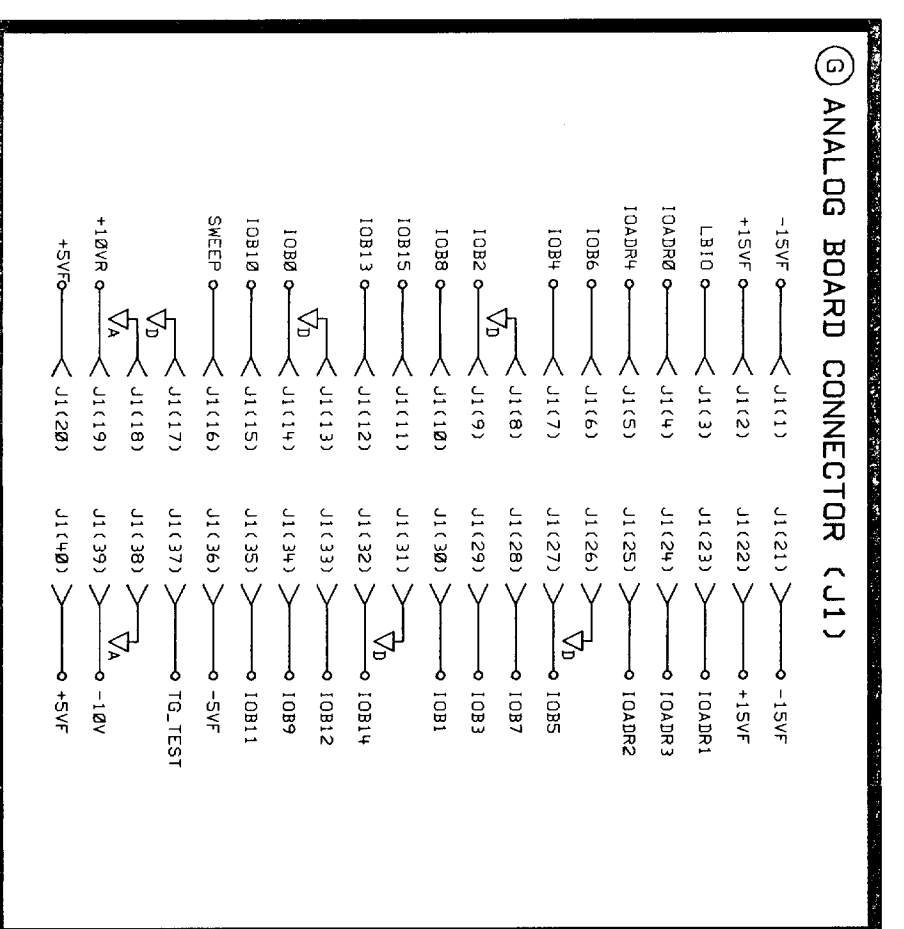
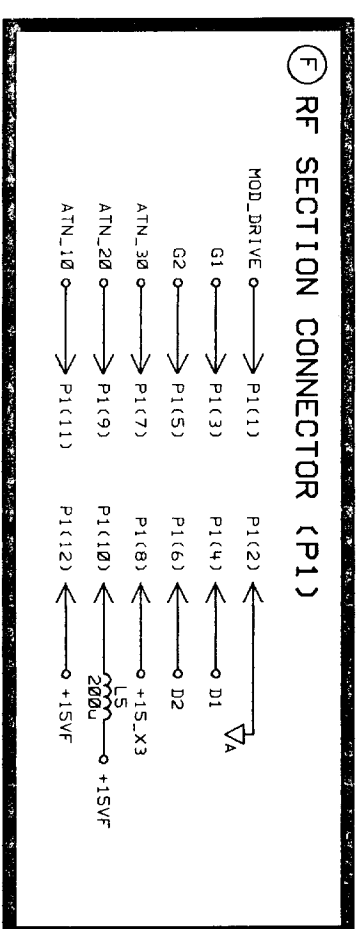
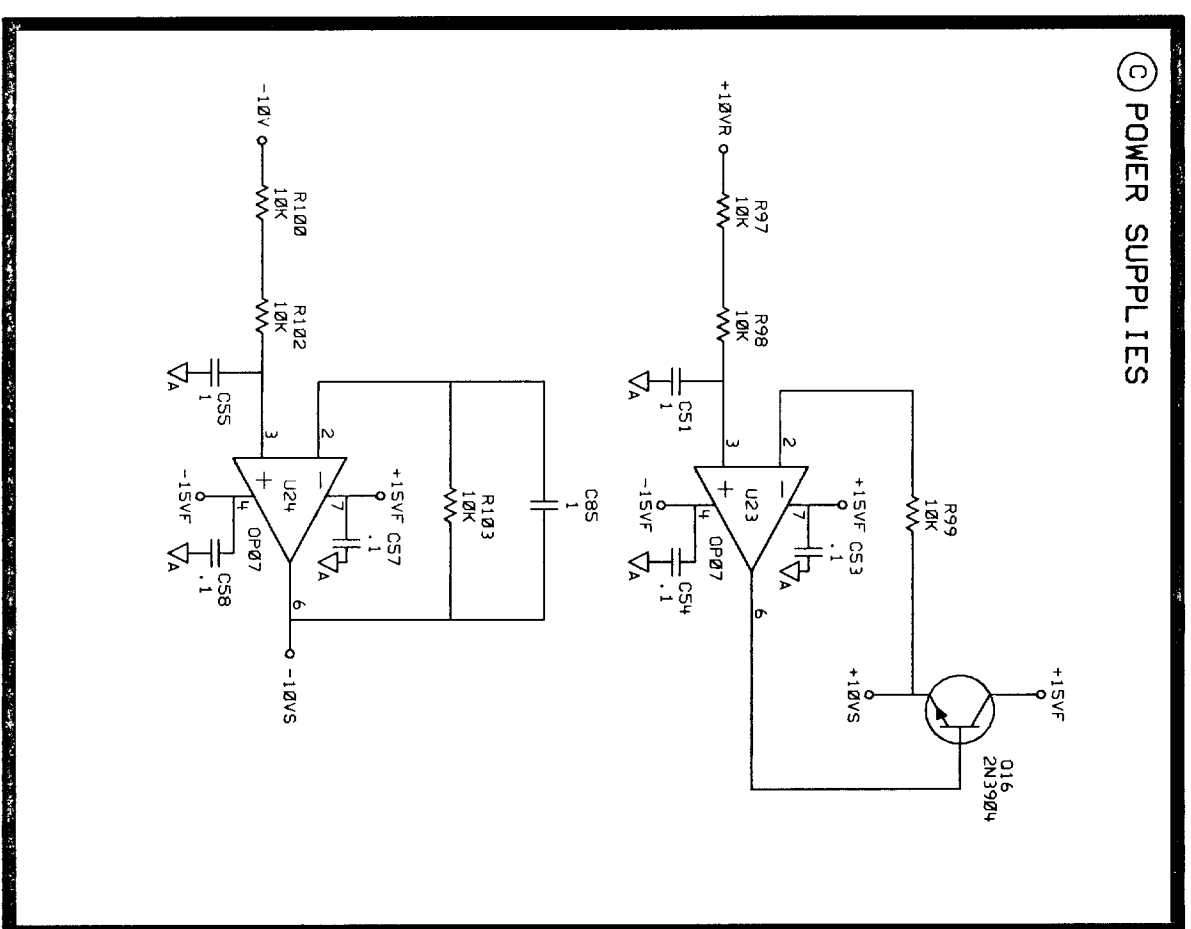
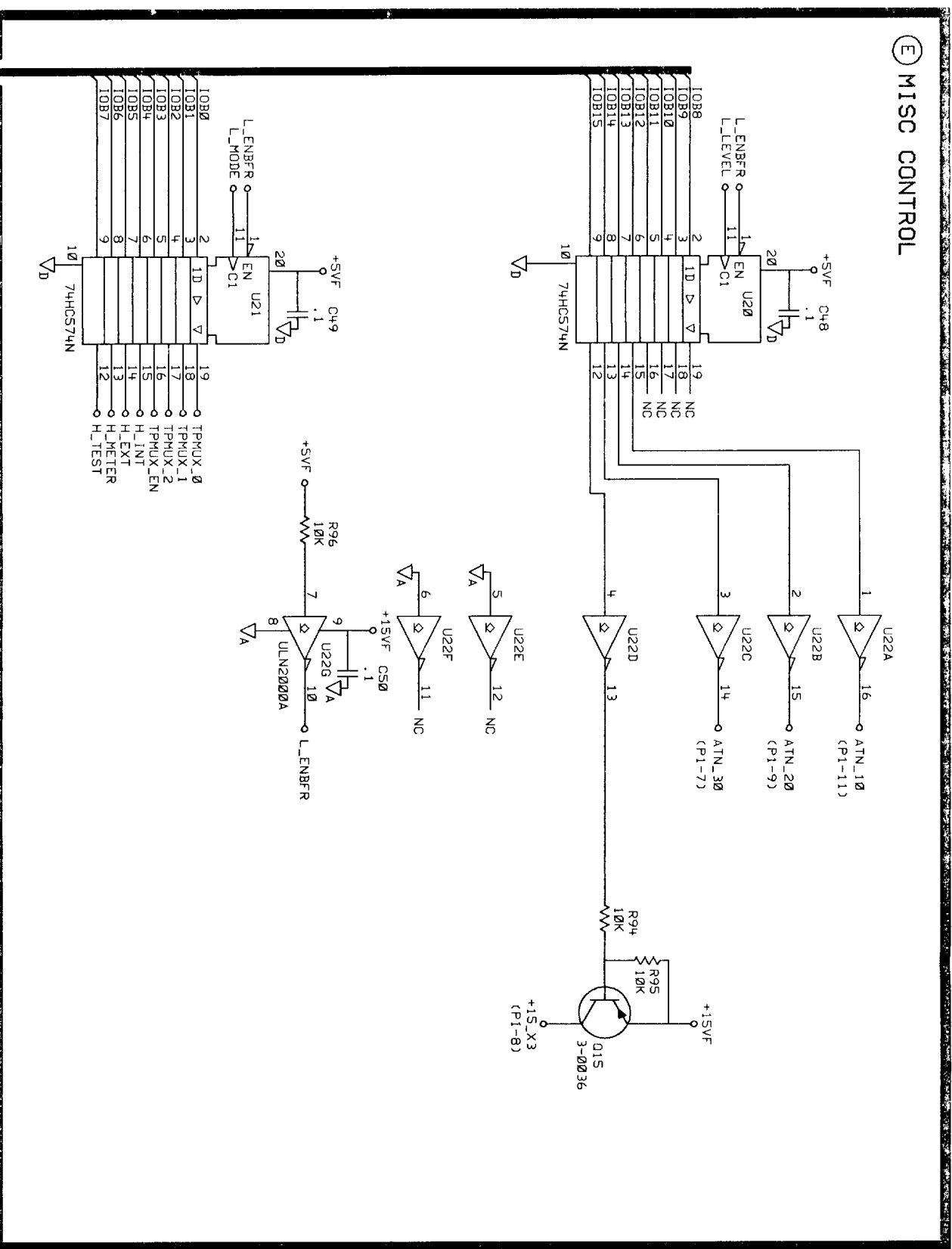
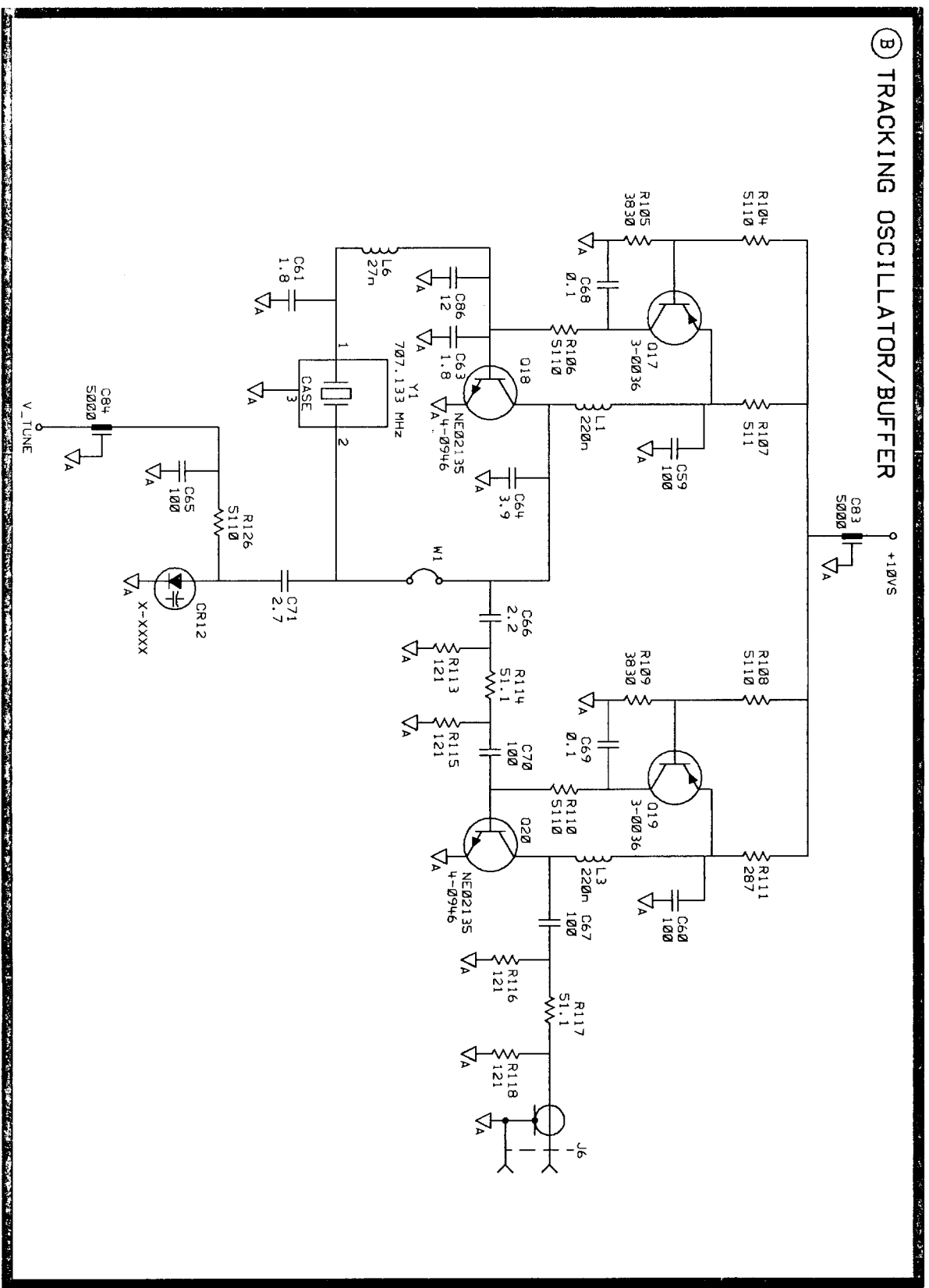
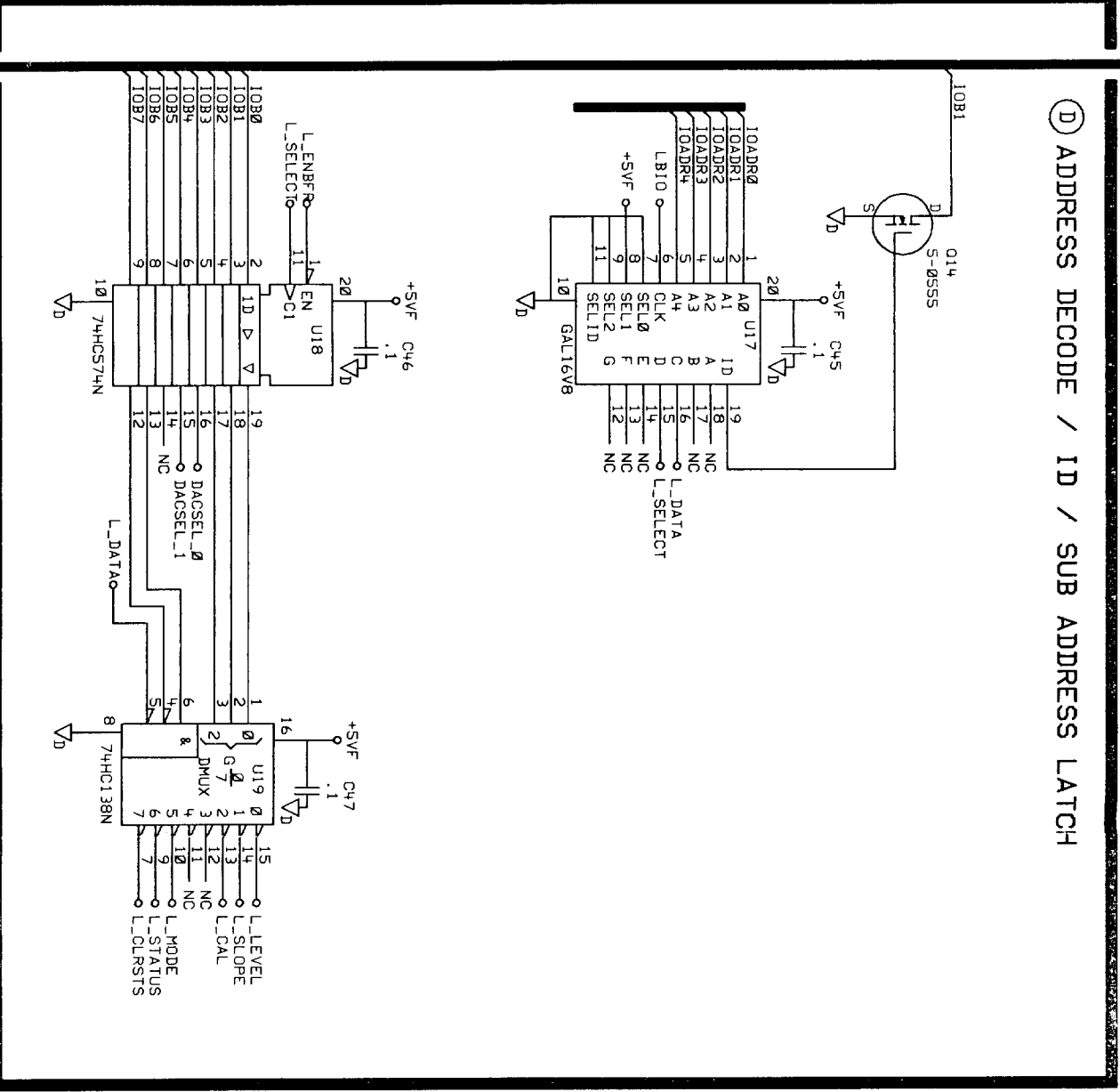
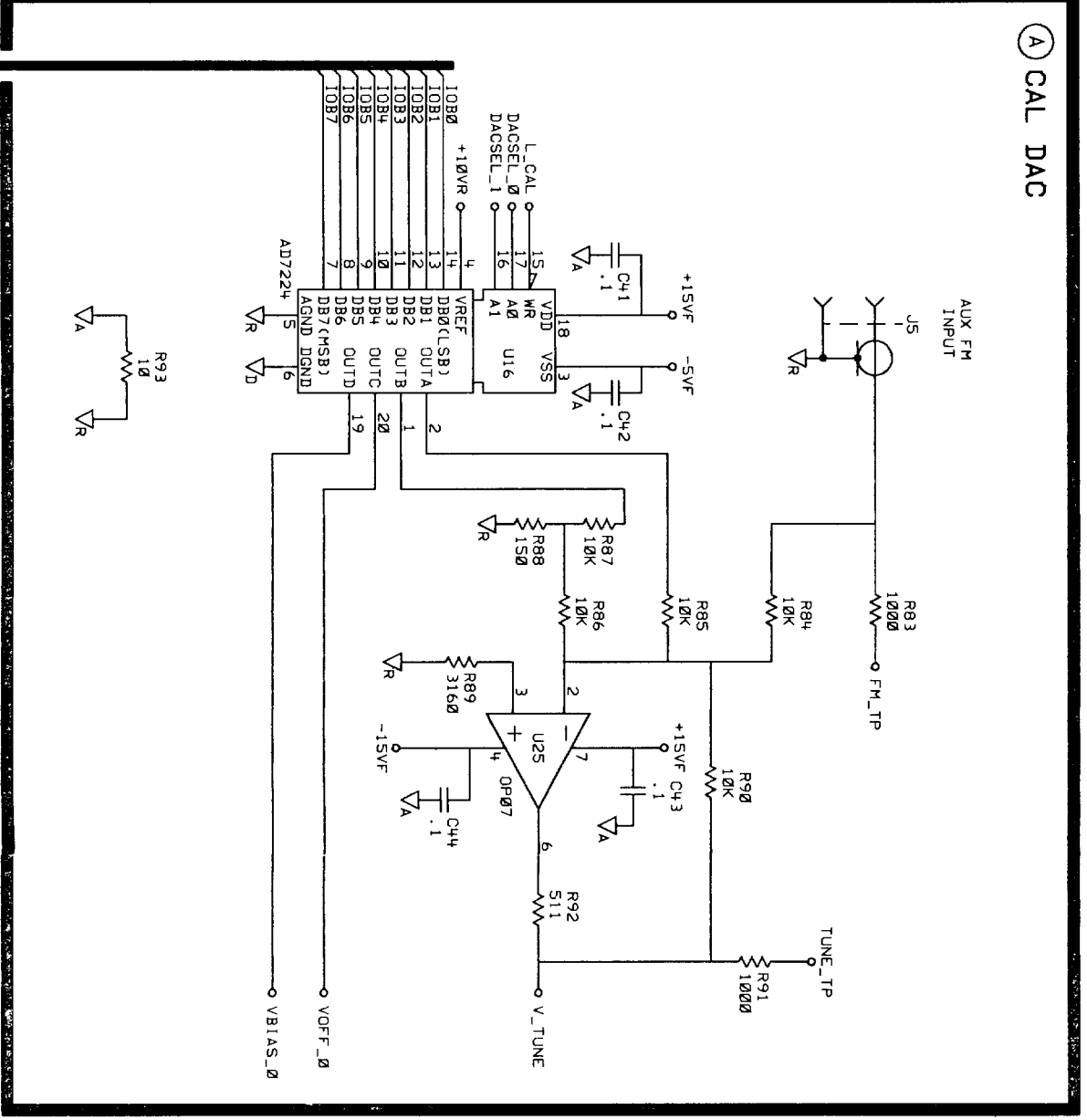


HP PROPRIETARY
THIS DOCUMENT CONTAINS CONFIDENTIAL, PROPRIETARY INFORMATION THAT IS HEWLETT-PACKARD (HP) PROPERTY. DO NOT DISCLOSE TO OR DUPLICATE FOR OTHERS EXCEPT AS AUTHORIZED BY HP.

ITER	CTV	PART/MATERIAL-DESCRIPTION	MATL-PART NO.	MATL-DWG. NO.	MATL-SPEC.
		BOARD ASSEMBLY- TRACKING GEN (SCHEMATIC)			

DRAWN BY: _____ DATE: _____
 ENGINEER/CHECKER: _____
 RELEASE TO PROD: _____
 FILENAME: S154937
 PART NUMBER: 08590-60115
 SCALE: NONE SHEET 1 OF 2

REV	REV. DESCRIPTION	APPROVED	DATE
A			



HP PROPRIETARY
THIS DOCUMENT CONTAINS CONFIDENTIAL, PROPRIETARY INFORMATION THAT IS HEWLETT-PACKARD (HP) PROPERTY. DO NOT DISCLOSE TO OR DUPLICATE FOR OTHERS EXCEPT AS AUTHORIZED BY HP.

ITEM	QTY	PART/MATERIAL-DESCRIPTION	MAT'L-PART NO.	MAT'L-DWG. NO.	MAT'L-SPEC.
<p>HP BOARD ASSEMBLY - TRACKING GEN CONTROL (SCHEMATIC)</p> <p>DESIGNED BY: ENGINEER/CHECKER: RELEASE TO PROD.:</p> <p>SCALE: NONE SHEET 2 OF 2</p> <p>FILE NAME: d-0115837</p>					
<p>BOARD ASSEMBLY - TRACKING GEN CONTROL (SCHEMATIC)</p> <p>PART NUMBER: 085590-60115</p>					
<p>D-085590-60115-1</p>					